

## 690V变频器专用滤波器Filter for 690V Converter

### ■ 产品概述(Product Introduction)

- 1.降低变频器对电网的传导干扰
- 2.提高整个系统可靠性
- 3.100A以下使用端子，200A以上使用铜排接头
- 4.低泄露电流，缺相最大漏电流为13.12mA(P型除外)

- 1.Reduce the conducted interference from converter to electrical network
- 2.Improve the reliability of the entire system.
- 3.Use connectors for rated current below 100A, and copper busbars for rated current above 200A
- 4.Low leakage current. The maximum leakage current for phase loss is 13.12mA (except P type)

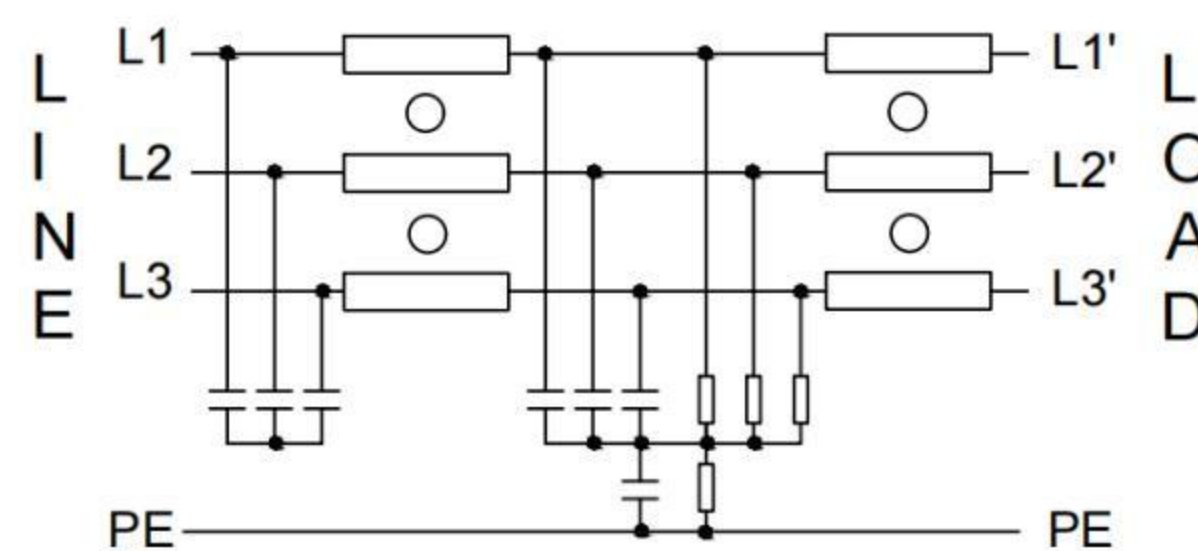


### ■ 技术规格 (Technical Specification)

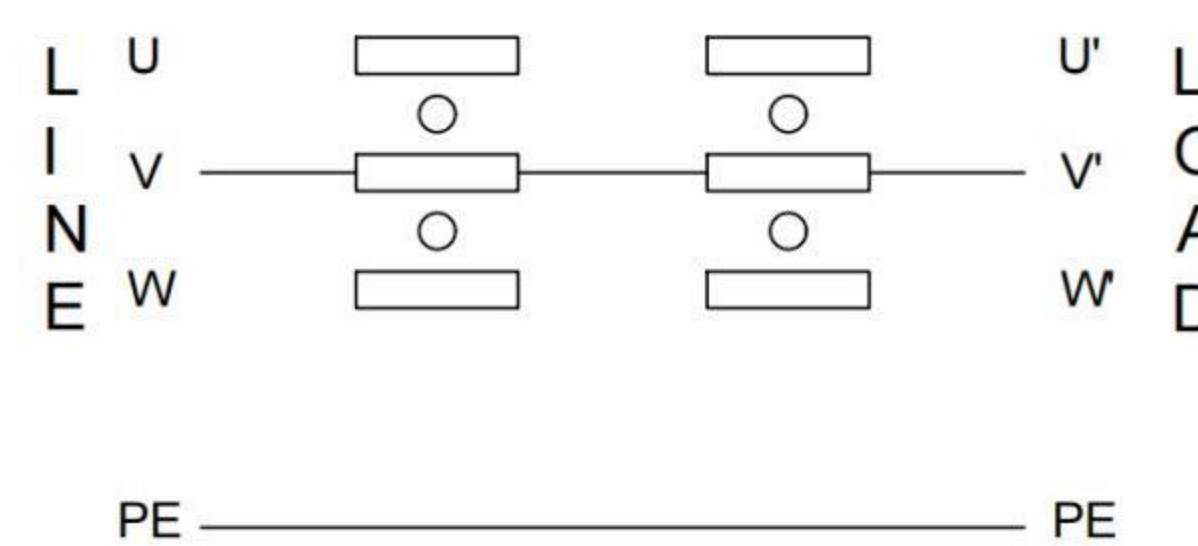
- 1.额定电压：690/380 VAC
- 2.额定频率：50Hz
- 3.额定电流：120 ~ 1000A
- 4.高压试验：P-E 2850VDC/60s P-P 2850VDC/60s
- 5.温度范围：-25 ~ +100°C
- 6.设计依据：IEC/EN 60939
- 7.典型滤波频率：150kHz ~ 30MHz

- 1.Rated Voltage: 690/380 VAC
- 2.Rated Frequency: 50Hz
- 3.Rated Current: 120 ~ 1000A
- 4.High Voltage Test : P-E 2850VDC/60 P-P 2850VDC/60s
- 5.Temperature Range: -25 ~ +100°C
- 6.Design Standard: IEC/EN 60939
- 7.Typical Work Frequency: 150kHz ~ 30MHz

### ■ 输入滤波器典型电路图(Typical Circuit Diagram of Input Filter)



### ■ 输出滤波器典型电路图(Typical Circuit Diagram of Output Filter)

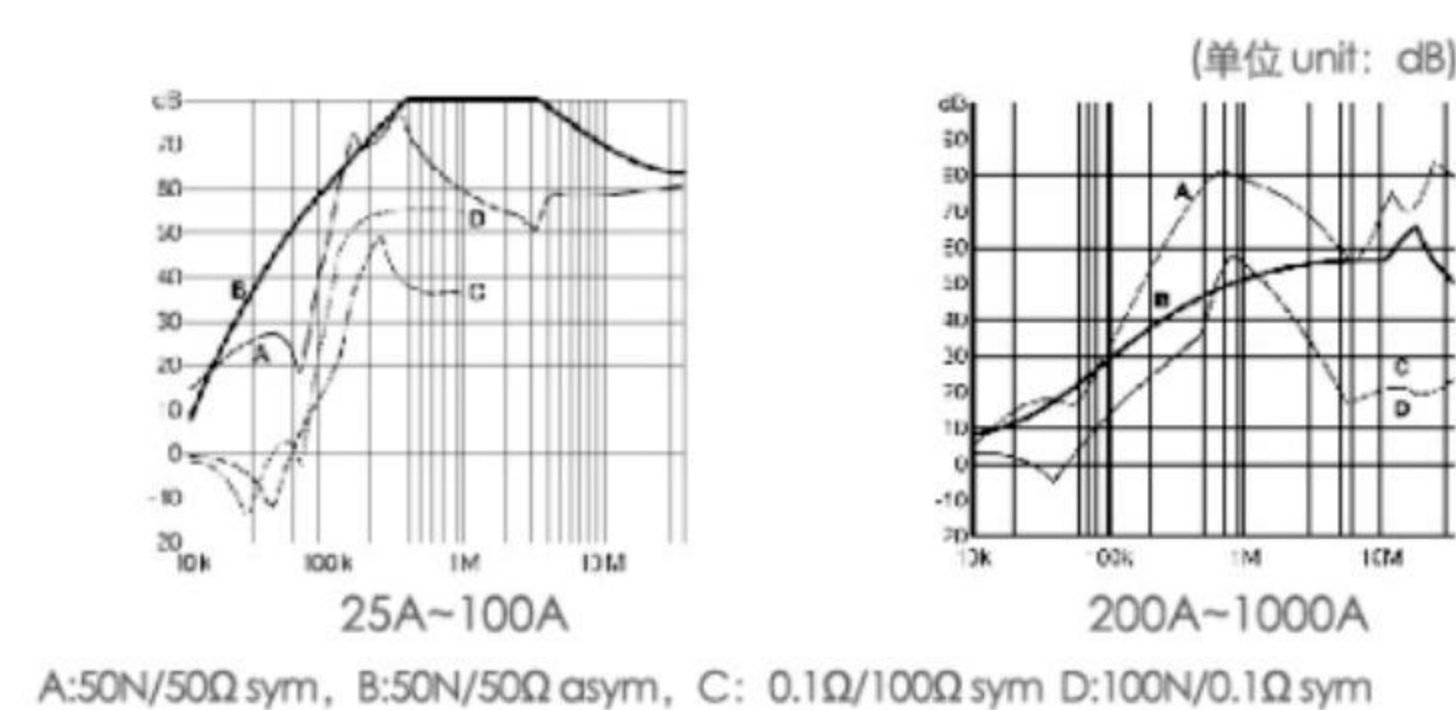


### ■ 产品应用 (Product Application)

该系列滤波器主要应用于690V变频器，其中P系列用于安规认证。P系列不可以用于矿井下，否则可能会导致漏电保护器跳闸。

This series of filters is mainly used in 690V converters among which the P series is used to safety certification. P series cannot be used in mines, otherwise it may cause the leakage protector to trip.

### ■ 输入滤波器插入损耗((Insertion Loss of Input Filter)



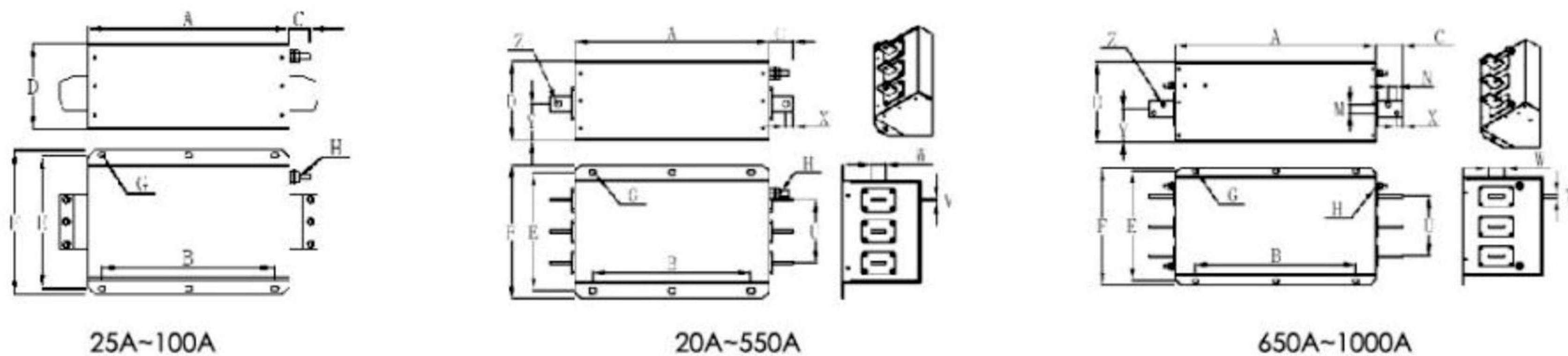
## ■ 滤波器选型表(Filter Selection Table)

安规认证用输入滤波器最后加P, 如输入25A型号为RFI6 C25N10P)

Add P at the end of Input filter type for safety certification test, for example, the input current 25A model, the type is RFI6 C25N10P.

适配变频器参数 Adapter Converter Parameter		型号 Type		额定电流 Rated Current	端子代码 Connector Code
功率 Drive Power Rating (kW)	额定电压 Rated Voltage (VAC)	输入滤波器 Input Filter	输出滤波器 Output Filter	(A)	
18.5	660-690	RFI6C25N10	RFI6C25N10	25	
37	660-690	RFI6C50N35	RFI6C50N35	50	-N10
55	660-690	RFI6C80N35	RFI6C80N35	80	-N35
75	660-690	RFI6C100N35	RFI6C100N35	100	-N35
132	660-690	RFI6C200N99	RFI6C200N99	200	-N35
150	660-690	RFI6C200N99	RFI6C200N99		
185	660-690	RFI6C250N99	RFI6C250N99	250	
200	660-690	RFI6C250N99	RFI6C250N99		
250	660-690	RFI6C350N99	RFI6C350N99	350	
315	660-690	RFI6C400N99	RFI6C400N99	400	
400	660-690	RFI6C550N99	RFI6C550N99	550	
500	660-690	RFI6C650N99	RFI6C650N99	650	
630	660-690	RFI6C800N99	RFI6C800N99	800	
715	660-690	RFI6C900N99	RFI6C900N99	900	
800	660-690	RFI6C1000N99	RFI6C1000N99	1000	

## ■ 产品尺寸图(Product Size)



代号 Code 电流 Current (A)	A (mm)	B (mm)	C (mm)	D (mm)	E (mm)	F (mm)	G (mm)	H (mm)	M (mm)	N (mm)	U (mm)	V (mm)	W (mm)	X (mm)	Y (mm)	Z (mm)
25	180	120	35	100	155	168	6*9	M8								
50-100	280	240	39	120	185	200	6*9	M8								
200-250	320	260	40	130	195	220	8*15	M8			104	4	25	12.5	60	10.5
350-550	420	340	45	170	248	270	11*18	M10			140	8	40	12.5	75	10.5
650-1000	600	480	80	240	300	350	11*18	M10	26	26	180	8	50	17	100	12.5

## ■ 滤波器输入输出端子接线范围及扭矩选择(Wire and Torque Selection for Input/Output Connector)

	-N6	-N10	-N16	-N35	-N50	-N95
多股软线/mm <sup>2</sup> Litz Wire	0.5-6	0.5-10	1-16	10-35	16-50	25-95
美标线规 AWG Number	AWG8-26	AWG6-24	AWG4-20	AWG2-8	AWG6-1/0	AWG4-4/0
推荐扭矩/N.m Recommended Torque	1.36	1.36	2.71	4.41	4.41	192