

EMC滤波器 EMC Filter

440V 24025系列滤波器 440V 24025series Filters

■ 产品概述(Product Introduction)

- 1.降低变频器对电网的传导干扰
- 2.有效降低用户使用成本
- 3.提高整个系统可靠性
- 4.适用于变频、逆变、伺服等电力电子设备

- 1.Reduce the conducted interference from converter to electrical network.
- 2.Reduce the cost effectively
- 3.Improve the reliability of the whole system
- 4.Suitable for power electronic equipment such as inverter, converter, servo and so on.

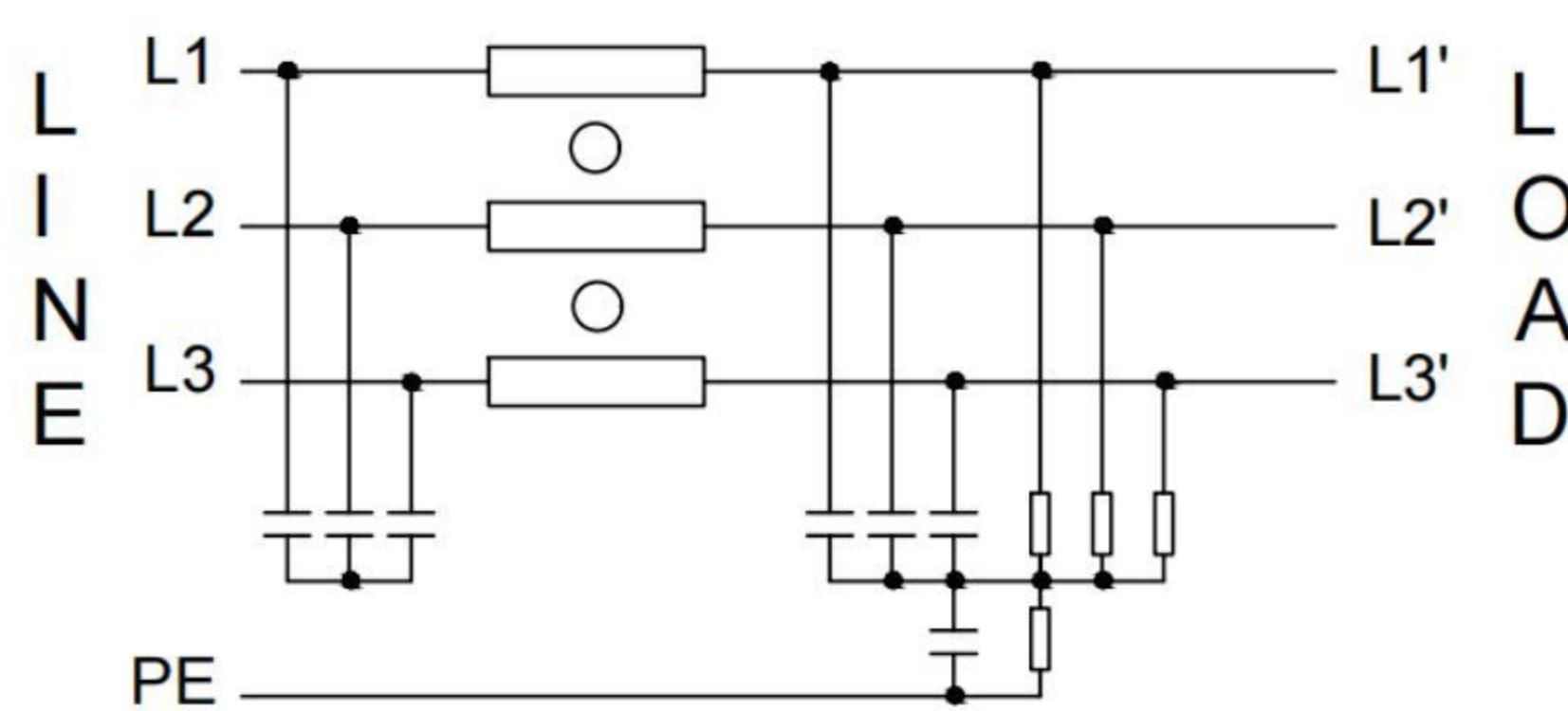


■ 技术规格 (Technical Specification)

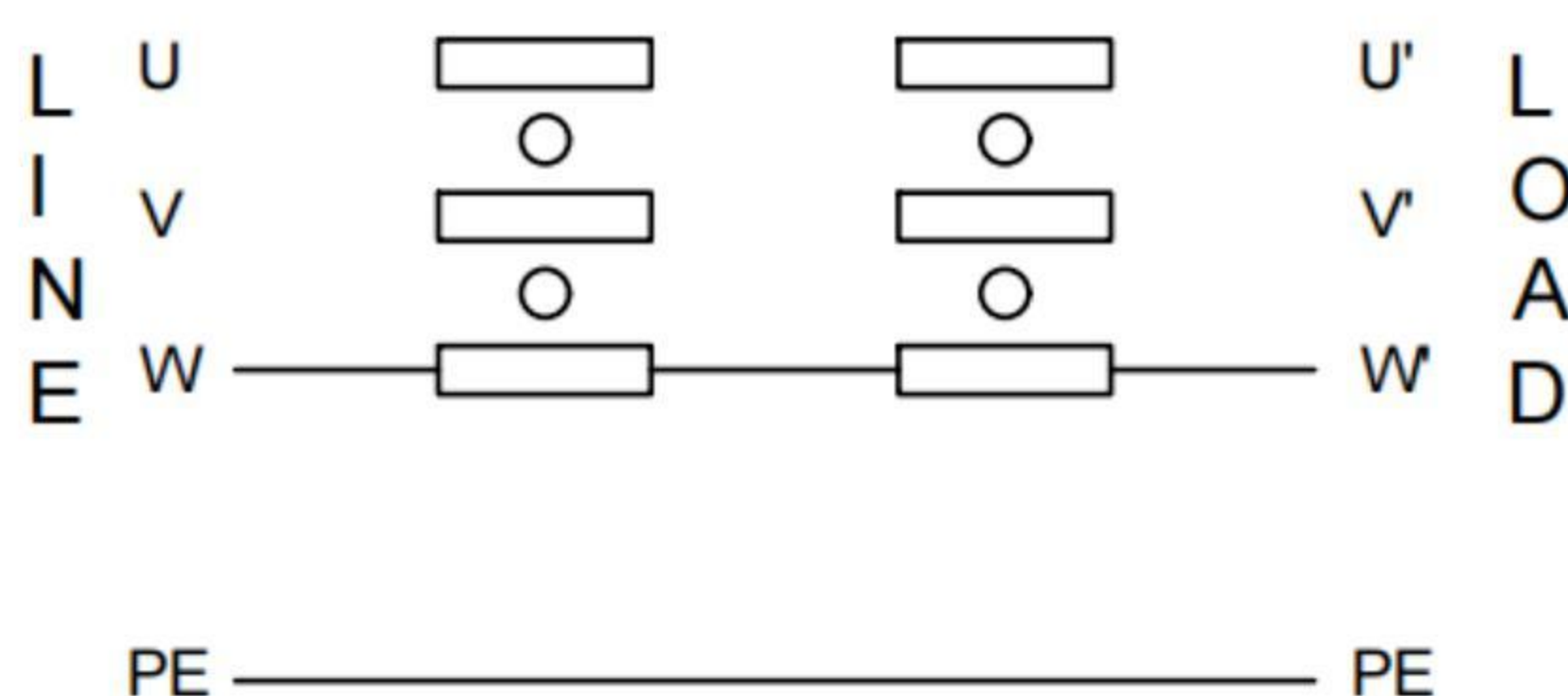
- 1.额定线/相电压: 440/250VAC
- 2.额定频率: 50Hz
- 3.额定电流: 5 ~ 1000A
- 4.高压试验: P-E 2100VDC/2sec P-P 2100VDC/2sec
- 5.温度范围: -25 ~ 100℃
- 6.设计依据: IEC/EN 60939
- 7.典型滤波频率: 150kHz ~ 30MHz

- 1.Rated Line./Phase Voltage: 440/250 VAC
- 2.Rated Frequency: 50Hz
- 3.Rated Current: 5 ~ 1000A
- 4.High Voltage Test : P-E 2100VDC/2sec P-P 2100VDC/2sec
- 5.Temperature Range: -25 ~ 100°C
- 6.Design Standard: IEC/EN 60939
- 7.Typical Filtering Frequency: 150kHz ~ 30MHz

■ 输入滤波器典型电路图(Typical Circuit Diagram of Input Filter)



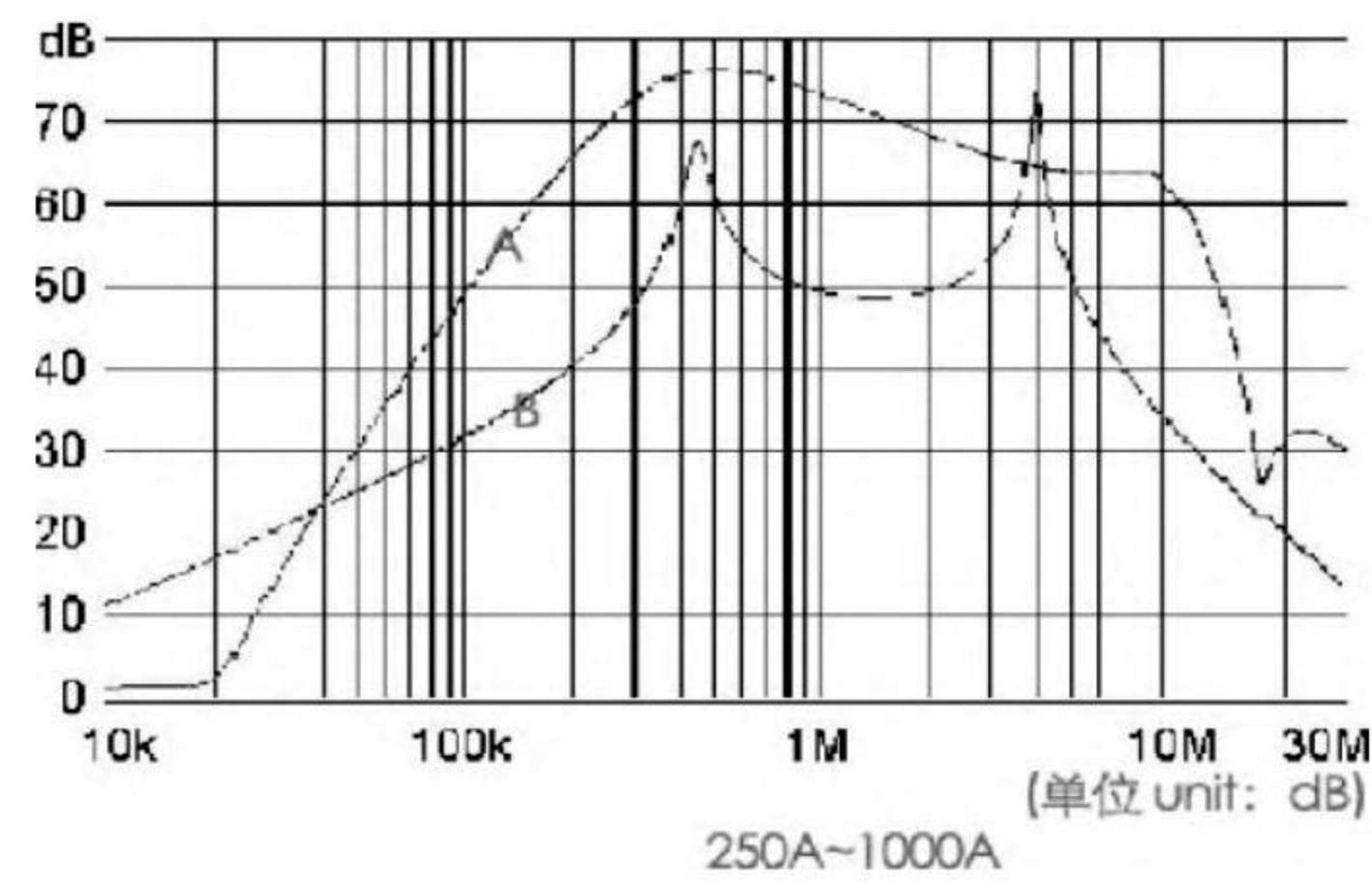
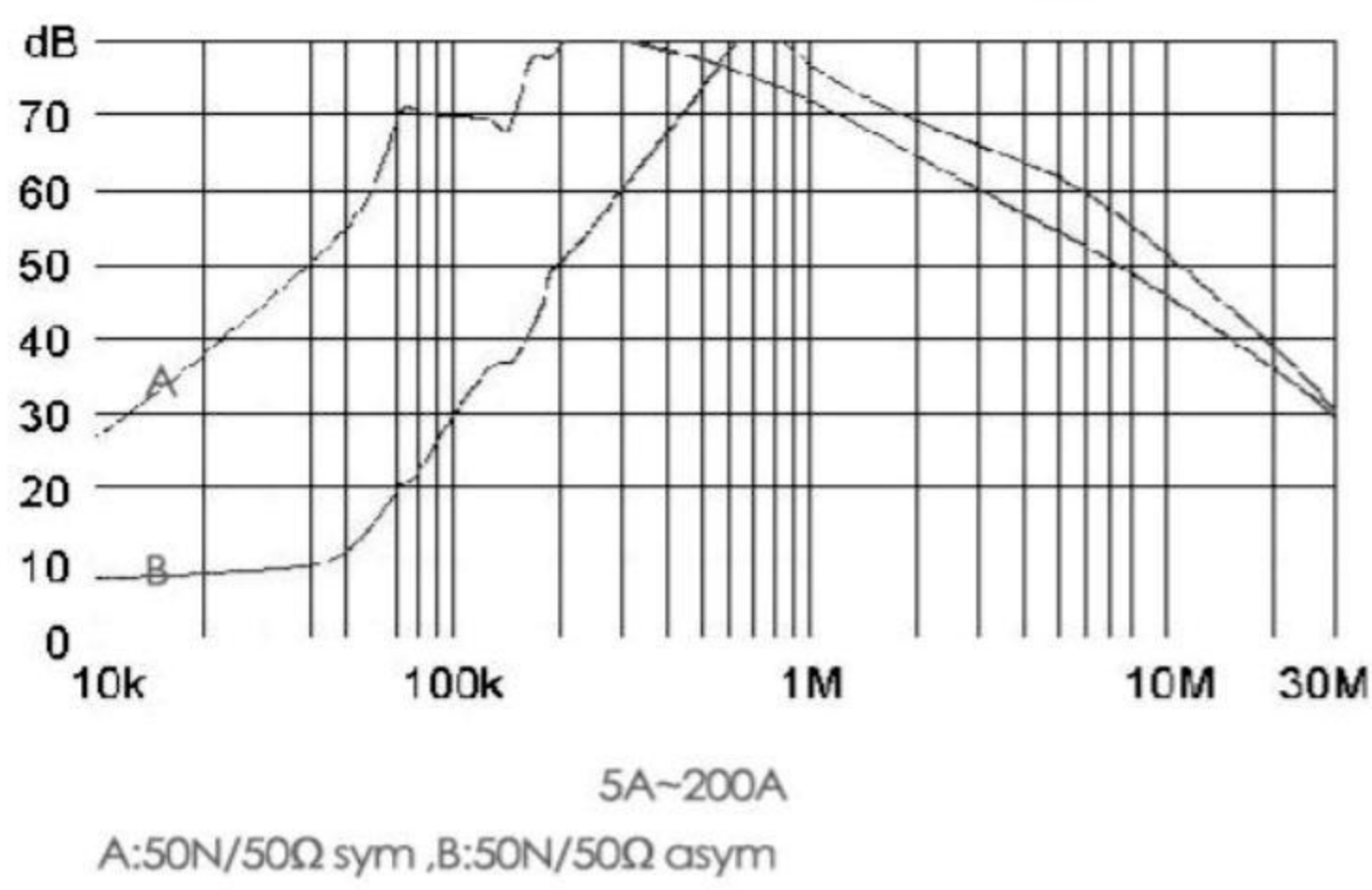
■ 输出滤波器典型电路图(Typical Circuit Diagram of Output Filter)



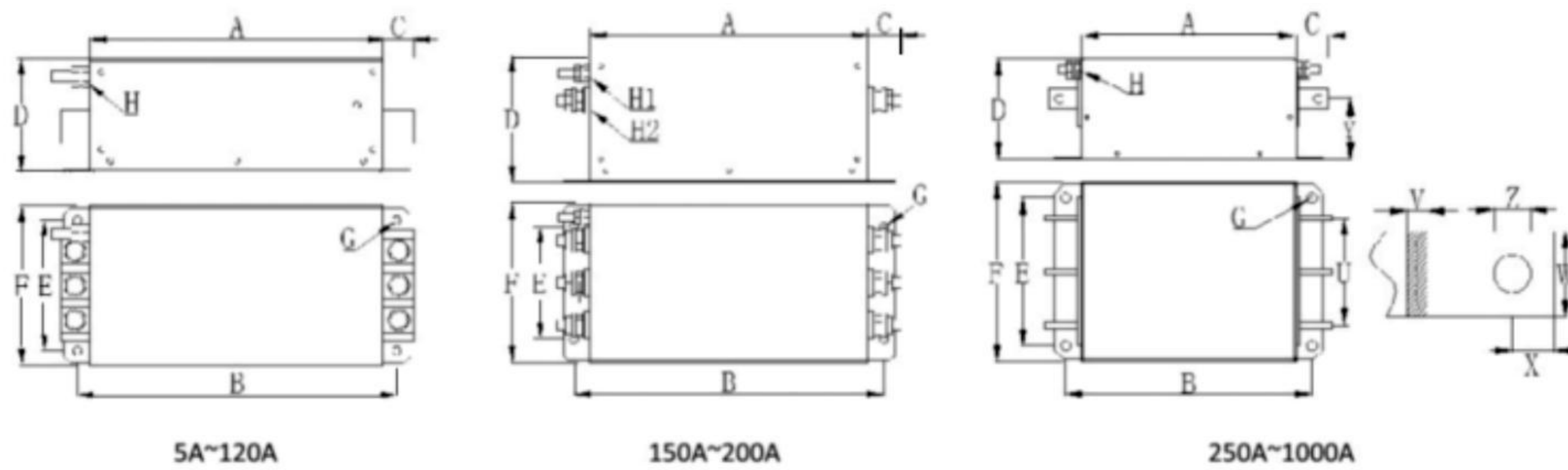
■ 滤波器选型表(Filter Selection Table)

功率 Motor Drive Power (kW)	额定电压 Rated Voltage (VAC)	额定电流 Rated Current (A)	输入滤波器型号 Input Filter	输出滤波器型号 Output Filter	端子类型 Terminal Block Type
1.5	440	5	RFI24025-5	RFO24025-5	端子台barrier terminal
3.7	440	10	RFI24025-10	RFO24025-10	端子台barrier terminal
7.5	440	20	RFI24025-20	RFO24025-20	端子台barrier terminal
11	440	30	RFI24025-30	RFO24025-30	端子台barrier terminal
18.5	440	40	RFI24025-40	RFO24025-40	端子台barrier terminal
22	440	50	RFI24025-50	RFO24025-50	端子台barrier terminal
30	440	65	RFI24025-65	RFO24025-65	端子台barrier terminal
37	440	80	RFI24025-80	RFO24025-80	端子台barrier terminal
45	440	100	RFI24025-100	RFO24025-100	端子台barrier terminal
55	440	120	RFI24025-120	RFO24025-120	端子台barrier terminal
75	440	150	RFI24025-150	RFO24025-150	螺杆screw
90	440	200	RFI24025-200	RFO24025-200	螺杆screw
110	440	250	RFI24025-250	RFO24025-250	铜排Copper busbar
160	440	320	RFI24025-320	RFO24025-320	铜排Copper busbar
200	440	400	RFI24025-400	RFO24025-400	铜排Copper busbar
315	440	600	RFI24025-600	RFO24025-600	铜排Copper busbar
400	440	800	RFI24025-800	RFO24025-800	铜排Copper busbar
500	440	1000	RFI24025-1000	RFO24025-1000	铜排Copper busbar

■ 输入滤波器插入损耗 (Insertion Loss of Input Filter)



■ 产品尺寸图(Product Size)



代号Code 电流 Curent (A)	A (mm)	B (mm)	C (mm)	D (mm)	E (mm)	F (mm)	G (mm)	H H1 H2 (mm)	U (mm)	V (mm)					
5-10	120	133.5	20	60	52	70	4.5	M4							
20	150	163.5	20	60	55	75	4.5	M5							
30-50	200	220	23	75	80	100	5.5	M6							
65-120	220	240	23	85	98	120	5.5	M8							
150-200	260	290	33	120	105	150	8.8	M8 M10							
250	240	275	40	100	165	205	11.5	M10	120	3					
320	240	275	40	100	165	205	11.5	M10	120	4	25	12.5	51.5	11	
400	240	275	40	100	165	205	11.5	M10	120	6					
600	240	275	40	100	165	205	11.5	M10	120	8	25	12.5	51.5	11	
800-1000	310	345	50	130	155	205	11.5	M10	120	8					